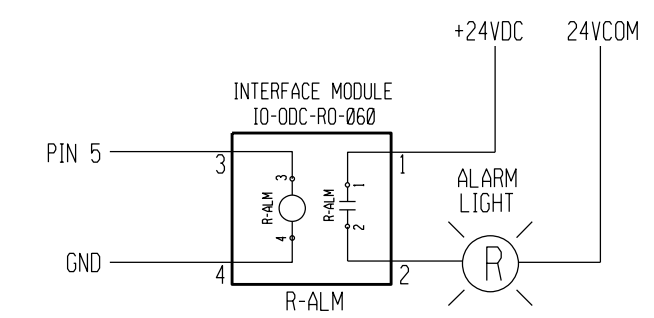
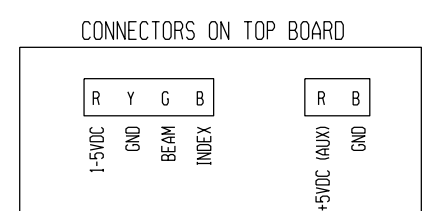
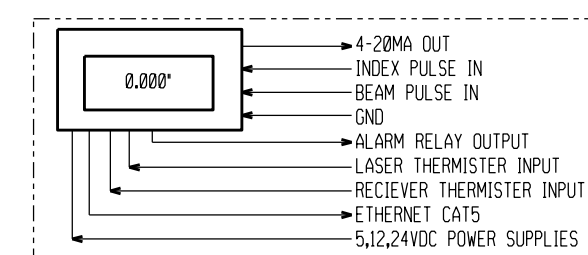
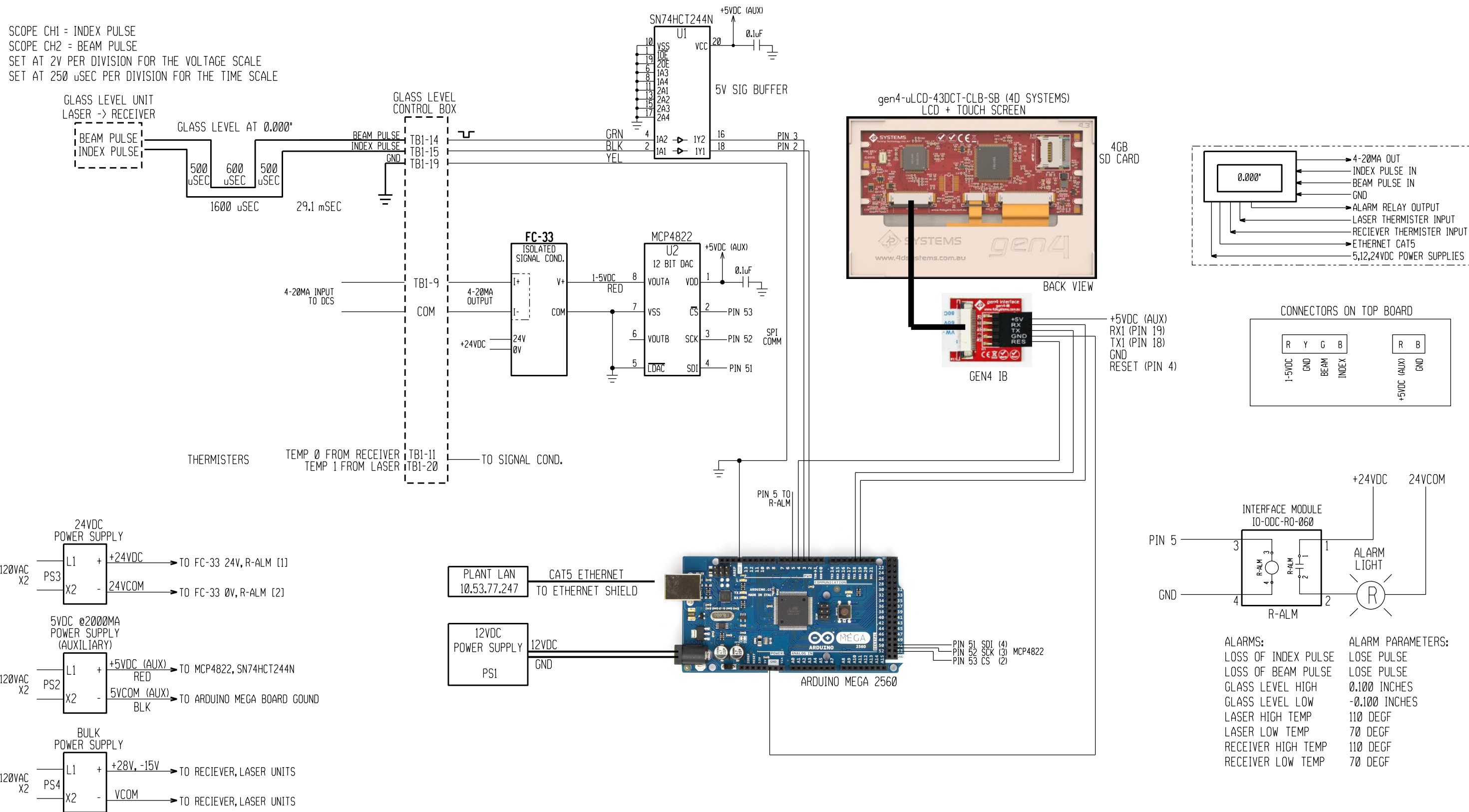


GLASS LEVEL INTERFACE - WIRING DIAGRAM

ABEtronics
V1.00 3-17-2020

SCOPE CH1 = INDEX PULSE
SCOPE CH2 = BEAM PULSE
SET AT 2V PER DIVISION FOR THE VOLTAGE SCALE
SET AT 250 μ SEC PER DIVISION FOR THE TIME SCALE



ALARMS:	ALARM PARAMETERS:
LOSS OF INDEX PULSE	LOSE PULSE
LOSS OF BEAM PULSE	LOSE PULSE
GLASS LEVEL HIGH	0.100 INCHES
GLASS LEVEL LOW	-0.100 INCHES
LASER HIGH TEMP	110 DEGF
LASER LOW TEMP	70 DEGF
RECEIVER HIGH TEMP	110 DEGF
RECEIVER LOW TEMP	70 DEGF