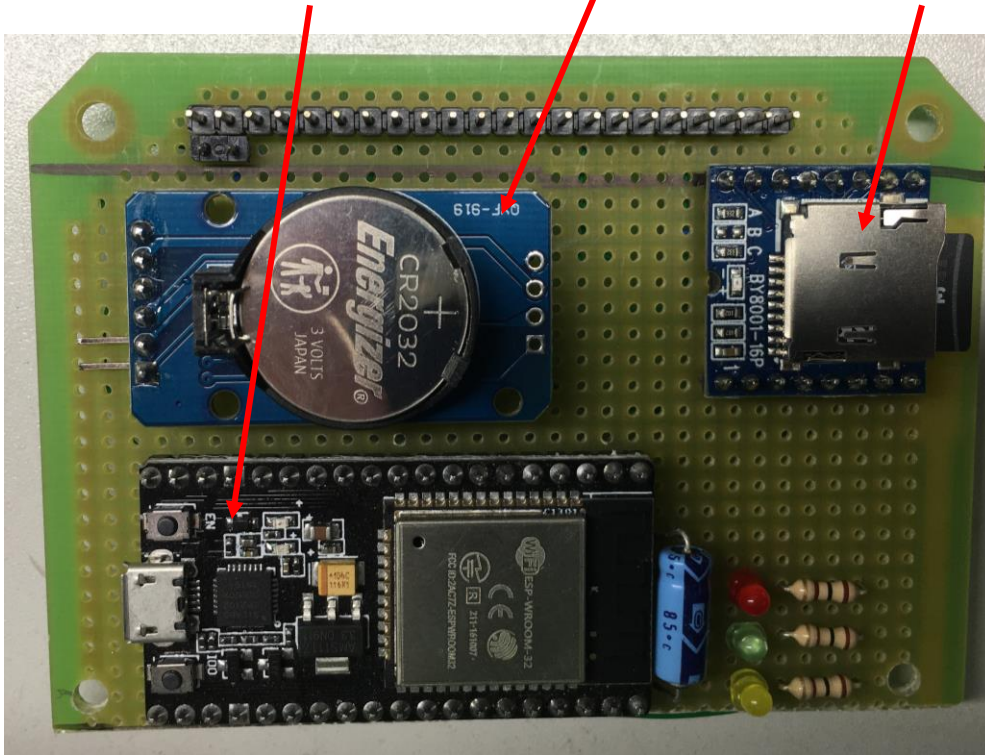


1-22-22

Internet Display Hardware Wiring Connections:

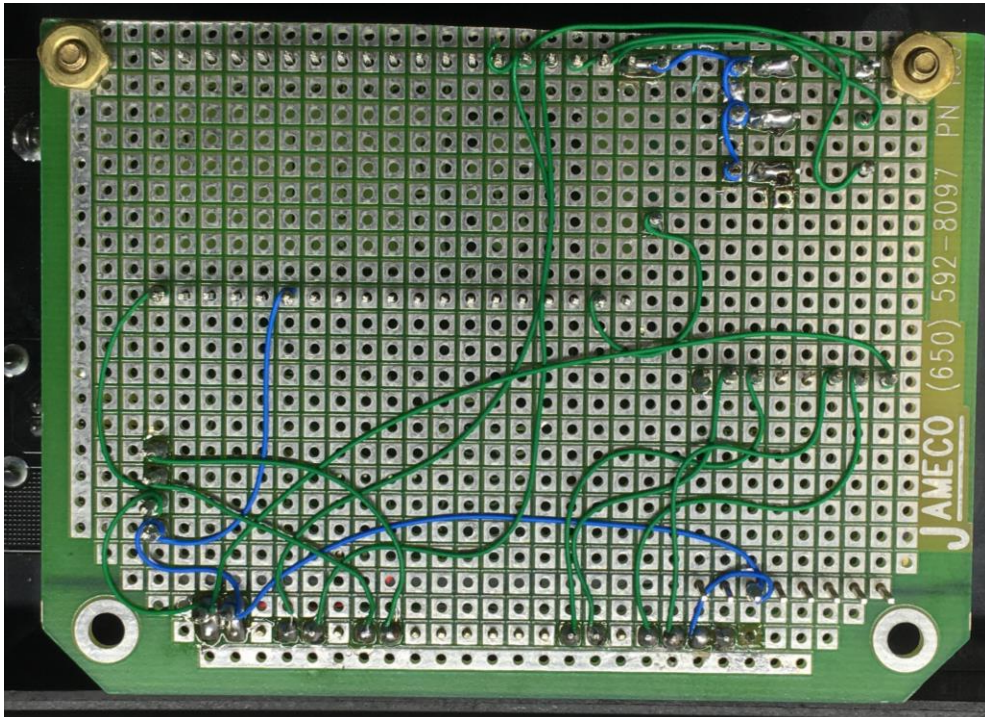
Bottom board:

Parts: ESP32-WROOM-32UE, DS3231 AT24C32 Precision RTC, BY8001-16P MP3 Player



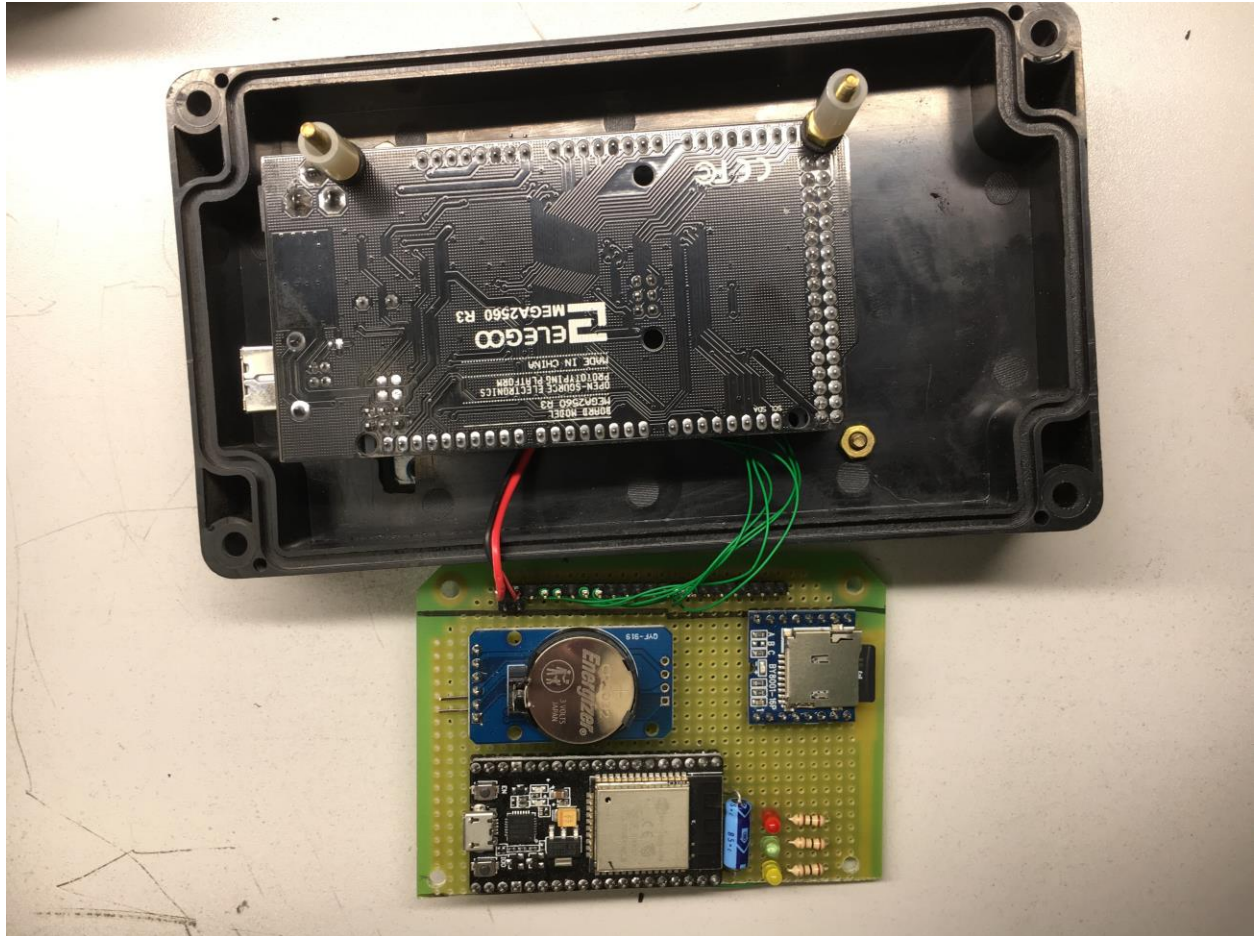
Bottom board:

Wire connections:





Bottom board:  
Wire warp connections to Mega 2560 board.



Touchscreen display mounted on top of box:

