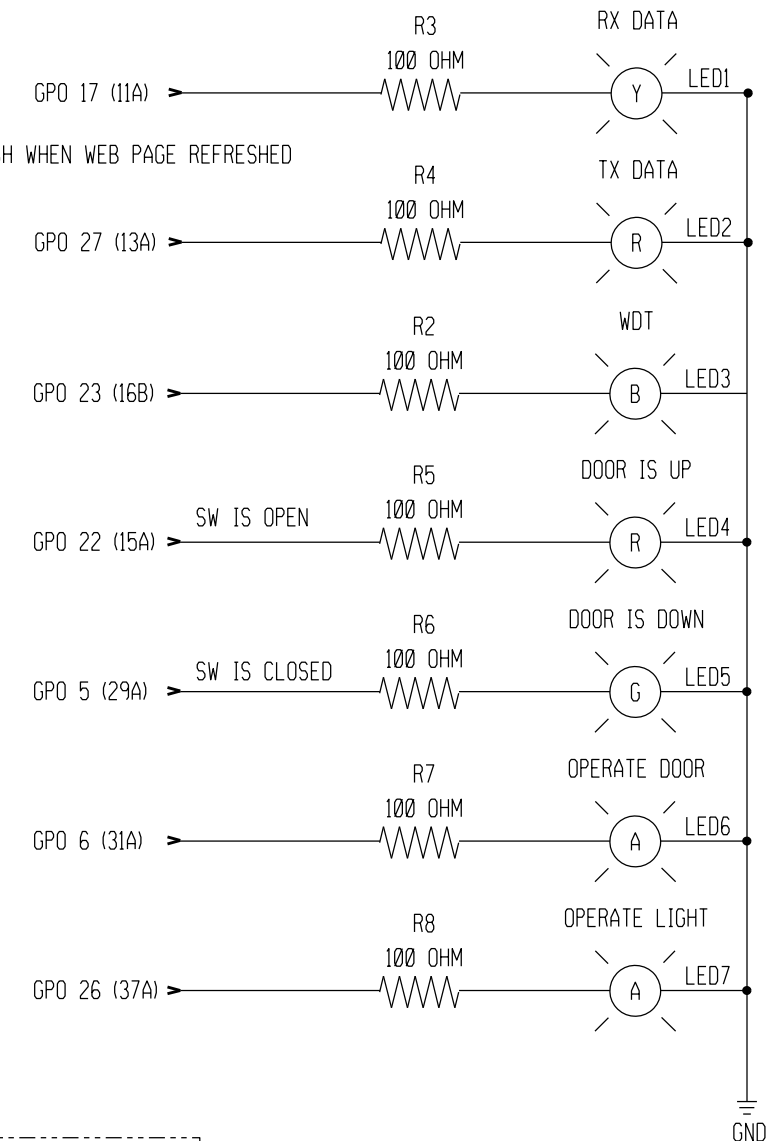
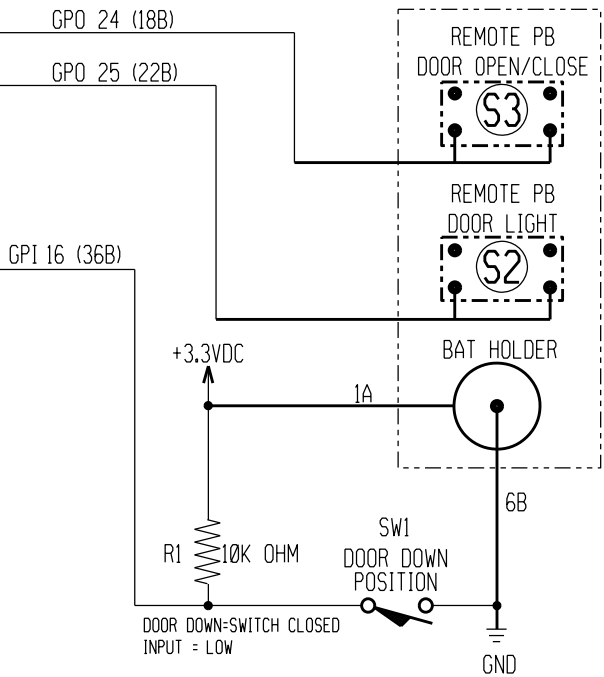
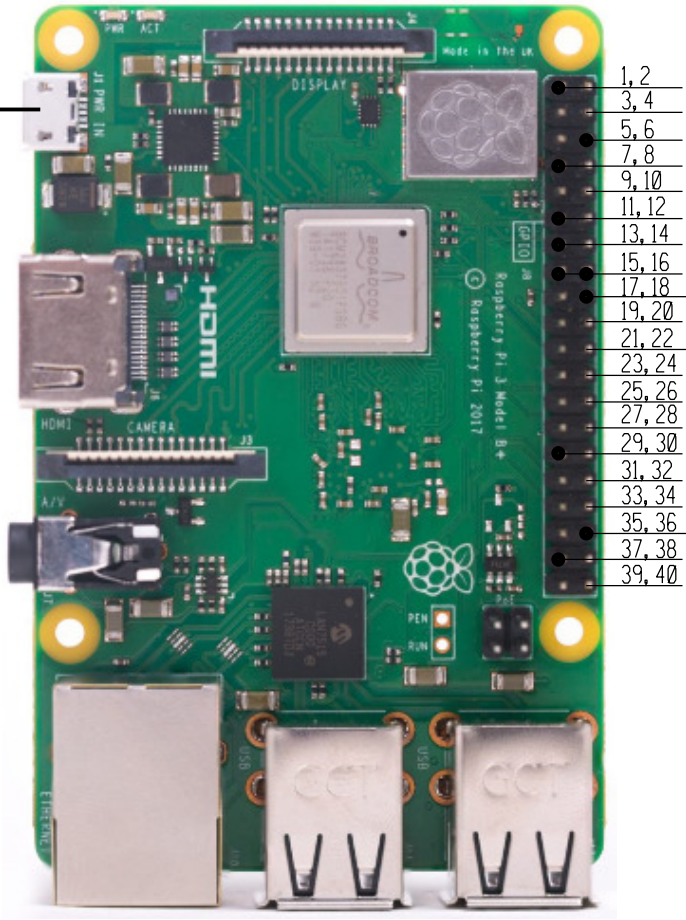
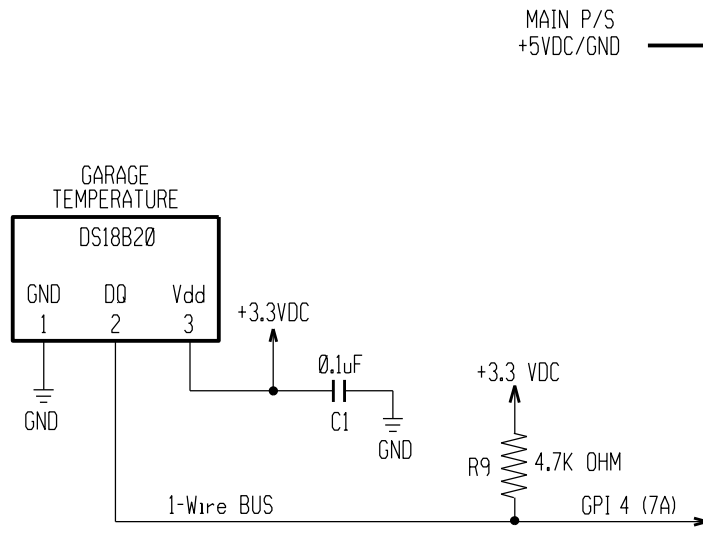


GARAGE DOOR MONITOR/CONTROL INTERFACE

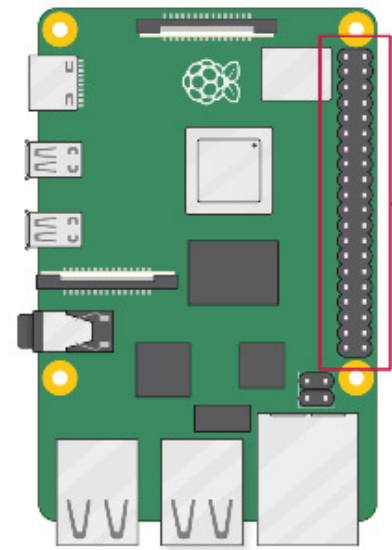
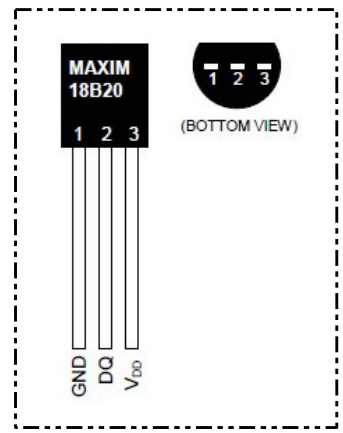
ABEtronics
V1.00 4-24-2020

1
2
3
4
5
6
7
8

A B

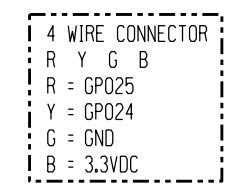


LEDS WILL FLASH WHEN WEB PAGE REFRESHED



3V3 power	1	2	5V power
GPIO 2 (SDA)	3	4	5V power
GPIO 3 (SCL)	5	6	Ground
GPIO 4 (GPCLK0)	7	8	GPIO 14 (TXD)
Ground	9	10	GPIO 15 (RXD)
GPIO 17	11	12	GPIO 18 (PCM_CLK)
GPIO 27	13	14	Ground
GPIO 22	15	16	GPIO 23
3V3 power	17	18	GPIO 24
GPIO 10 (MOSI)	19	20	Ground
GPIO 9 (MISO)	21	22	GPIO 25
GPIO 11 (SCLK)	23	24	GPIO 8 (CE0)
Ground	25	26	GPIO 7 (CE1)
GPIO 0 (ID_SD)	27	28	GPIO 1 (ID_SC)
GPIO 5	29	30	Ground
GPIO 6	31	32	GPIO 12 (PWM0)
GPIO 13 (PWM1)	33	34	Ground
GPIO 19 (PCM_FS)	35	36	GPIO 16
GPIO 26	37	38	GPIO 20 (PCM_DIN)
Ground	39	40	GPIO 21 (PCM_DOUT)

- GPIO 5 LED: DOOR IS DOWN
 - GPIO 6 LED: OPERATE DOOR
 - GPIO 17 LED: RECIEVE DATA
 - GPIO 22 LED: DOOR IS UP
 - GPIO 23 LED: WDT
 - GPIO 24 OPERATE DOOR CMD
 - GPIO 25 DOOR LIGHT CMD
 - GPIO 26 LED: OPERATE LIGHT
 - GPIO 27 SEND DATA
- GPIO 4 GARAGE TEMPERATURE
GPIO 16 DOOR POSITION



LIFT MASTER GARAGE DOOR CONTROL 373LM REMOTE

