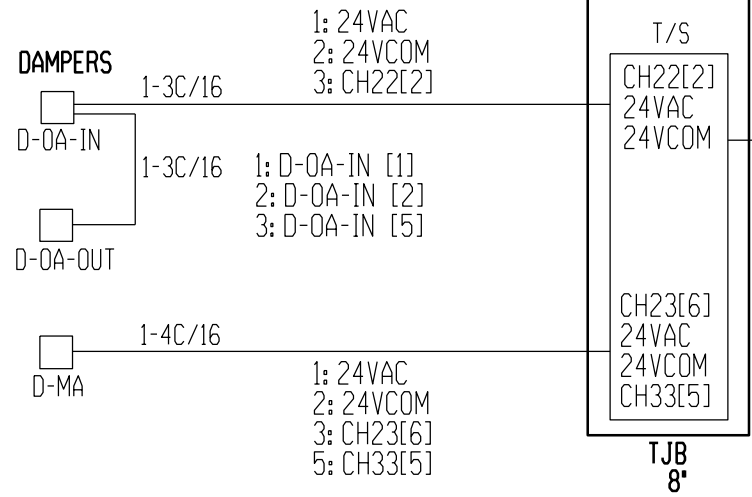
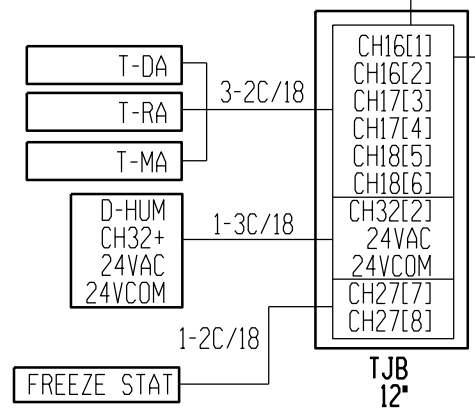


FRONT OFFICE - HVAC CONTROL SYSTEM CABLE LAYOUTS

MOUNT UNDER DUCT WORK
IN CORNER OF ROOM

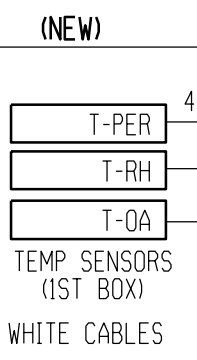


(NEW) STRAIGHT THROUGH TJB



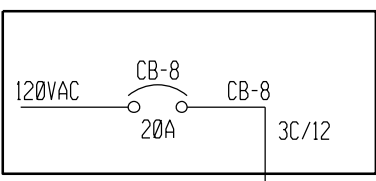
TEMP SENSORS
HUMIDITY SENSOR
(2ND BOX)
WHITE CABLES

MOUNT BY ENTRY WAY
INTO WR BASEMENT

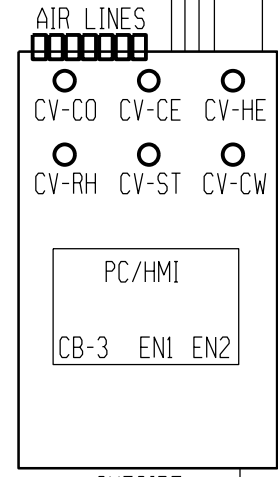
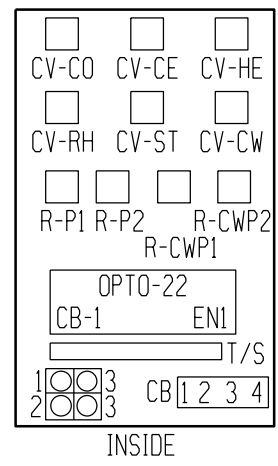


(USE EXISTING CABLES AND ADD CABLE EXTENSION)

PLANT LAN (CAT-6 CABLE)
(TO TELEPHONE ROOM BY
COMPUTER ROOM)



LOAD CENTER: RP-W5
RP-W5 located outside the HVAC room, RP-W5 is fed from
LP-W8 located right next which is fed out of MCC-12.



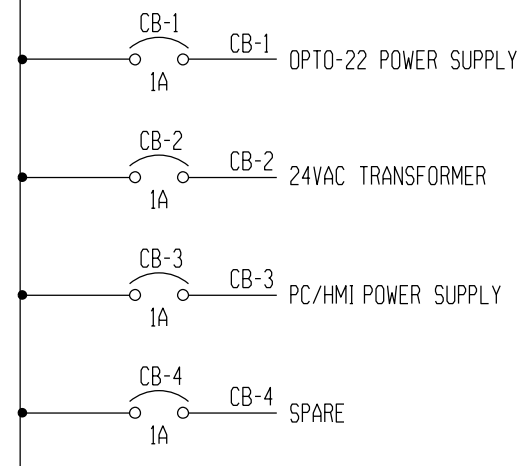
0-30 PSI GAUGES

120VAC, X2, GND
TO CIRCUIT BREAKERS

BOTTOM TERMINAL STRIPS IN NEW ENCLOSURE

| | | | | |
|---|--|---|---|---|
| 24VAC 24VAC 24VAC 24VAC 24VAC 24VAC 24VAC | CH8[1] P1-MS (P1 FB) CH8[2] P1-MS CH9[3] P2-MS (P2 FB) CH9[4] P2-MS CH10[5] CH10[6] CH11[7] CH11[8] | CH24[1] CWP1-MS (CW P1 FB) CH24[2] CWP1-MS CH25[3] CWP2-MS (CWP2 FB) CH25[4] CWP2-MS CH26[5] AC UNIT FAN CT CH26[6] AC UNIT FAN CT CH27[7] AC UNIT FREEZE STAT CH27[8] AC UNIT FREEZE STAT | CH0[1] (T-PER) CH0[2] CH1[3] (T-RH) CH1[4] CH2[5] (T-OA) CH2[6] CH3[7] (T-CW) CH3[8] | CH22[2] + (D-OA-IN/OUT) CH23[6] + (D-MA) CH33[5] + (D-MA FB) 24VCOM 24VAC SP CH32[2] + (D-HUM) 24VCOM 24VAC |
| 24VCOM 24VCOM 24VCOM 24VCOM 24VCOM | CH12[1] R-P1-RUN (YEL) CH12[2] R-P1-RUN (ORG) CH13[3] R-P2-RUN (YEL) CH13[4] R-P2-RUN (ORG) CH14[5] CH14[6] CH15[7] CH15[8] | CH28[1] R-CWP1-RUN (YEL) CH28[2] R-CWP1-RUN (ORG) CH29[3] R-CWP2-RUN (YEL) CH29[4] R-CWP2-RUN (ORG) CH30[5] CH30[6] CH31[7] CH31[8] | CH16[1] (T-DA) CH16[2] CH17[3] (T-RA) CH17[4] CH18[5] (T-MA) CH18[6] CH19[7] CH19[8] | |

WIRED TO 120VAC
4 GANG OUTLET



NEW ENCLOSURE

| REFERENCE DRAWINGS | | | |
|--------------------|---------------------|----------|-------|
| DWG. NO. | TITLE | DWG. NO. | TITLE |
| 008 468100 | MASTER DRAWING LIST | - | - |

| SUBJECT INDEX | | | |
|--------------------------|------------|------------|----------|
| WORKS NO. | DISCIPLINE | DEPARTMENT | ITEM NO. |
| 008 - 00 - E - 76 - 5400 | | | |

| | | | | | | | |
|--------------------------|------|-----------------|------|---------------|------|-----------|------|
| REV. BY | DATE | REV. BY | DATE | REV. BY | DATE | REV. BY | DATE |
| | | | | | | | |
| DRAWN BY JFA | | DATE 7-11-16 | | APPROVED | | DATE | |
| CHECKED | | DATE | | SCALE NONE | | FRAME NO. | |
| DRAWING NO. 008 HVAC6 | | | | | | | |