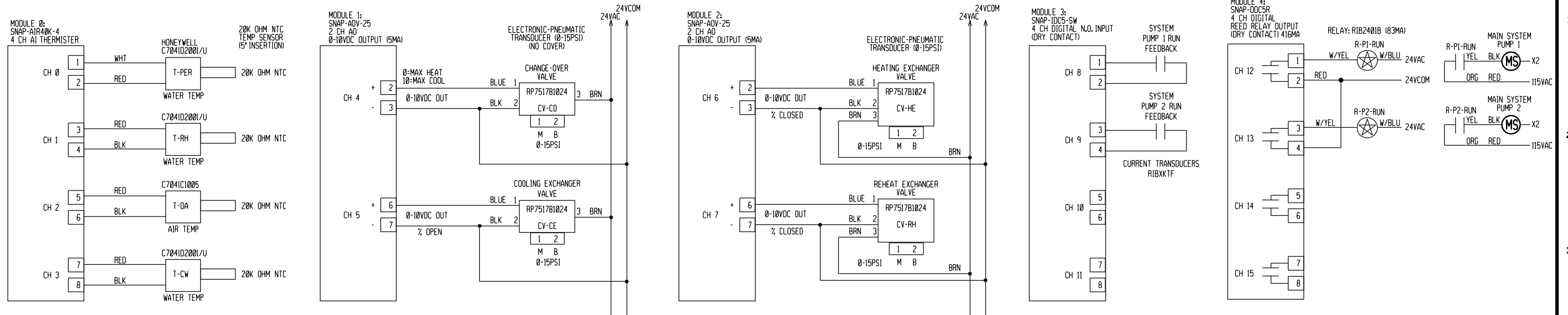
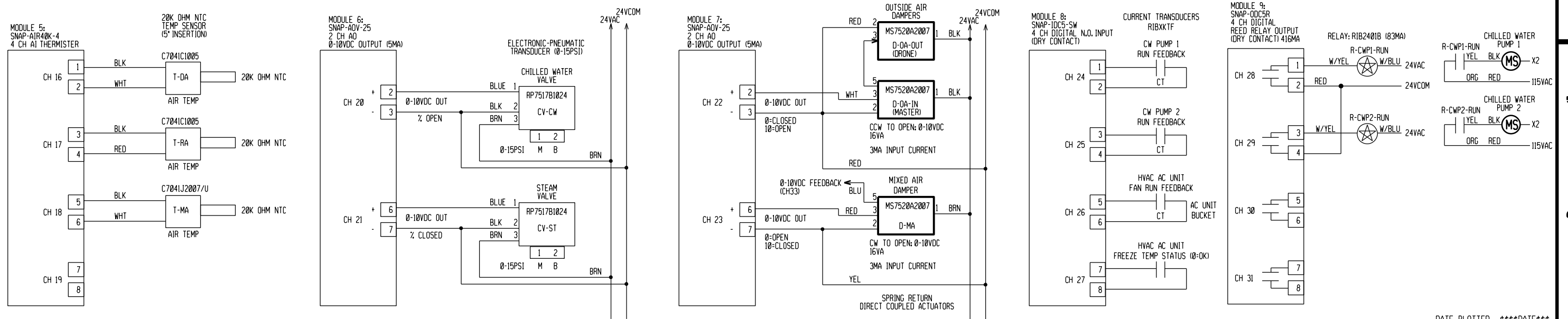


FRONT OFFICE - HVAC CONTROL SYSTEM I/O WIRING INTER-CONNECTIONS

PERIMETER / REHEAT MODULES 0-4



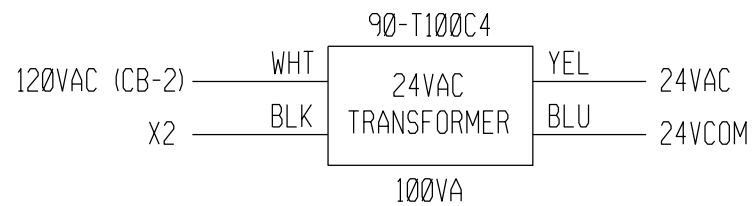
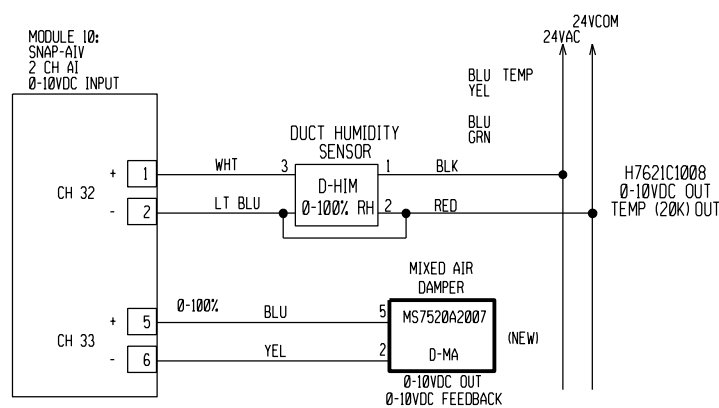
AIR HANDLER MODULES 5-9



NOTE:
D-OA-IN:
REMOVE RESISTOR ON TERM 2-3

T-DA: DELIVERED AIR TEMPERATURE
T-RA: RETURN AIR TEMPERATURE
T-OA: OUTSIDE TEMPERATURE
T-MA: MIXED AIR TEMPERATURE
T-RH: REHEAT WATER TEMPERATURE
T-PER: PERIMETER WATER TEMPERATURE
T-CW: CHILLER WATER TEMP (NEW)
D-HUM: DUCT HUMIDITY SENSOR

CV-CO: H/C CHANGE-OVER
CV-CE: COOLING EXCHANGER
CV-HE: HEAT EXCHANGER
CV-ST: STEAM CONTROL VALVE
CV-CW: CHILLED WATER CONTROL VALVE
CV-RH: REHEAT EXCHANGER



DATE PLOTTED \$\$\$DATE\$\$\$

REFERENCE DRAWINGS			
DWG. NO.	TITLE	DWG. NO.	TITLE
008 468100	- MASTER DRAWING LIST	-	-
SUBJECT INDEX			
008 - 00 - E - 76 - 5400			
DO NOT SCALE THIS PRINT			
THIS PRINT SUPERSEDES ALL PREVIOUS PRINTS			
REV. BY	DATE	DATE	MEADVILLE, PA
REV. BY	DATE	DATE	FRONT OFFICE
REV. BY	DATE	DATE	HVAC SYSTEM - CONTROL
REV. BY	DATE	DATE	OPTO-22 I/O
REV. BY	DATE	DATE	WIRING INTER-CONNECTIONS
REV. BY	DATE	DATE	SCALE: NONE
REV. BY	DATE	DATE	FRAME NO.
REV. BY	DATE	DATE	DRAWING NO. 008 HVAC5